

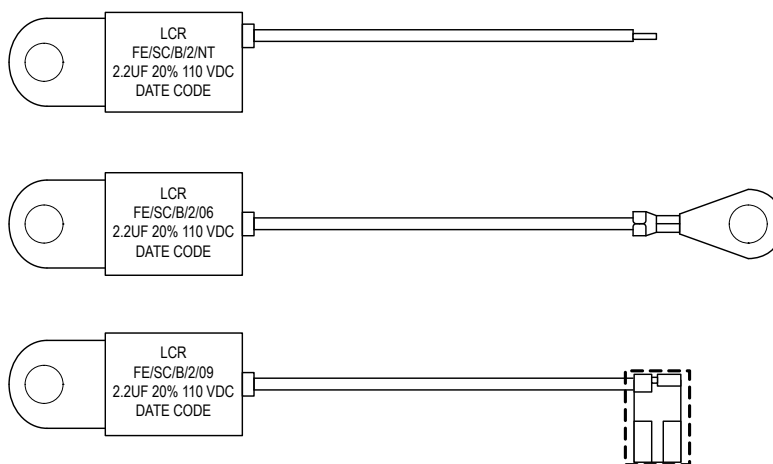
FE/SC/B AUTOMOTIVE SUPPRESSION CAPACITORS



These capacitors are designed to suppress alternator ignition and switch interference.

Suitable for use in various vehicle's including commercial, military, marine and agricultural.

Encapsulated in a flame retardant moulded case.



SPECIFICATION	
Capacitance Range	0.5uF to 4.7uF
Dissipation Factor	0.010 @ 1kHz
Voltage Range	110 V DC
Temperature Range	-40°C to +105°C
Insulation Resistance	>5,000 Megaohms
Wire	16/0.2 Plain copper PVC insulated
Terminations	No Tag M6 Ring Terminal 6.3 Flag
Approvals	BS,EN, ISO 9001-2008

Capacitance uF	Width mm	Height mm	Depth mm
0.5	17	23	12
1.0	17	23	12
2.2	17	23	12
3.3	17	23	12
4.7	32	23	12